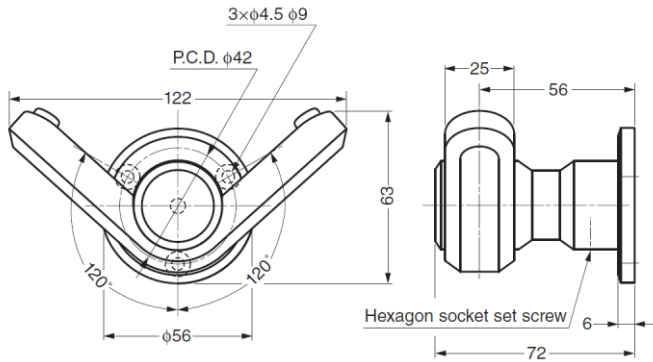


ZL-2103 Stainless Steel Hook

Features

- Superior "Zwei L Finish" - *Zwei L* represents the very pinnacle of ultra-premium Japanese hardware design. The contrasting bands of mirror finish and lustrous satin on a faceted profile give a jewel like finish that highlights and enhances any industrial design



Parts Included

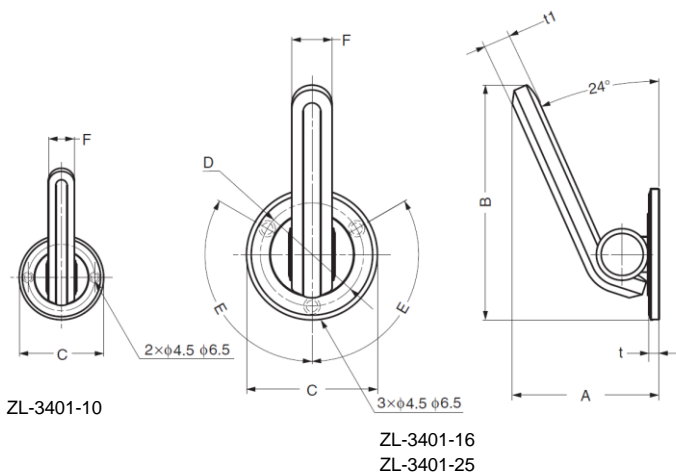
- Countersunk head wood screw 4.1 × 32 (SUS)
- Plug
- Hex key

Part No.	Material	Finish
ZL-2103	Stainless Steel 316	Zwei L Finish

ZL-3401 Stainless Steel Hook

Features

- Superior "Zwei L Finish" - *Zwei L* represents the very pinnacle of ultra-premium Japanese hardware design. The contrasting bands of mirror finish and lustrous satin on a faceted profile give a jewel like finish that highlights and enhances any industrial design



Parts Included

- Countersunk head tapping screw 4×30 (SUS)
- Anchor plug (for wood screw 4.1 ø6 mm hole)

Part No.	Material	Finish	A	B	C	D	E	F	t	t ₁	Load Capacity
ZL-3401-10	Stainless Steel 316	Zwei L Finish	36.7	60	37	24.5	90°	10	3.8	6	200 N / 20.4 kg
ZL-3401-16			58	93	52	41	120°	16		10	300 N / 30.6 kg
ZL-3401-25			91	145	80	65		25	6	16	400 N / 40.8 kg